

**ND16FA-6**

**5/8" Neodymium Dome Tweeter**

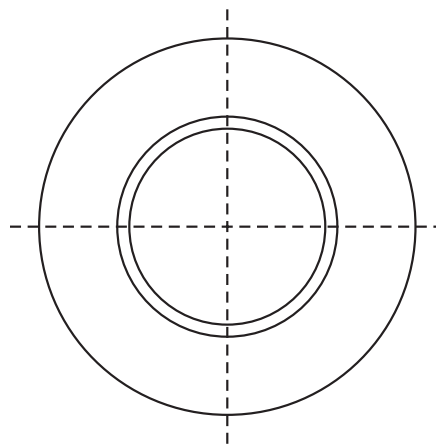
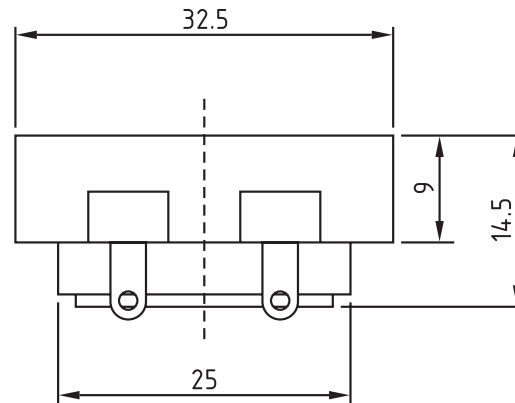


**Features**

- 5/8" textile soft dome
- Compact faceplate
- Unique press-fit design
- Neodymium motor
- Ferrofluid cooled voice coil
- Clear and extended highs
- Great for line arrays

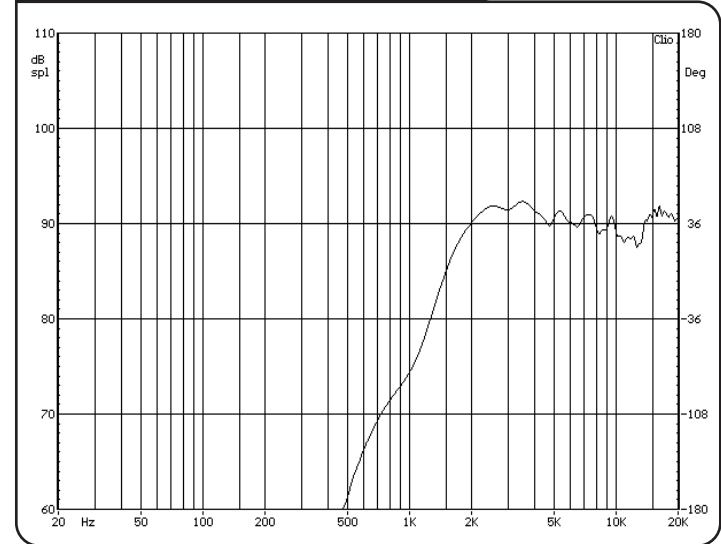
**Parameters**

Impedance ( $\Omega$ )	6
Re ( $\Omega$ )	5.0
Le (mH) @ 10 kHz	0.05
Fs (Hz)	2,283.0
Qms	2.42
Qes	3.10
Qts	1.36
Mms (g)	
Cms (mm/N)	
Sd (cm <sup>2</sup> )	2.0
Vd (cm <sup>3</sup> )	
BL (Tm)	
VAS (liters)	
XMAX (mm)	
VC Diameter (mm)	16
SPL (dB@1W/1m)	89.0
RMS Power Handling (w)	10
Usable Frequency Range (Hz)	3,500 - 27,000



Note: All dimensions in mm.

**Frequency Response**



**Impedance/Phase**

